

ELLINGTON

CEILING FANS **by Craftmade**

READ THESE INSTRUCTIONS AND
SAVE THEM FOR FUTURE USE



Installation Guide

For Models:

COL72BP6
COL72ESP6
COL96BP6
COL96ESP6

Table of Contents:

Safety Tips. pg. 1
Unpacking Your Fan. pg. 2
Parts Inventory. pg. 2
Installation Preparation. pg. 3
Hanging Bracket Installation. pg. 3
Fan Assembly. pgs. 4 - 5
Wiring. pg. 6
Canopy Assembly. pg. 7
Blade Assembly. pg. 7
Switch Housing Assembly. pg. 8
Automated Learning Process./
Activating Code. pgs. 8 - 9
Testing Your Fan. pg. 9
Troubleshooting. pg. 10
Parts Replacement. pg. 10
Warranty. pg. 10



Intertek
3170356

APPROVED FOR USE
IN DAMP LOCATIONS

net weight of fan: 34.43 lb (15.62 kg) COL72BP6, COL72ESP6
35.27 lb (16.00 kg) COL96BP6, COL96ESP6

PRINTED IN CHINA

SAFETY TIPS.

WARNING: To reduce the risk of electrical shock, turn off the electricity to the fan at the main fuse box or circuit panel before you begin the fan installation or before servicing the fan or installing accessories.

1. **READ ALL INSTRUCTIONS AND SAFETY INFORMATION CAREFULLY BEFORE INSTALLING YOUR FAN AND SAVE THESE INSTRUCTIONS.**

CAUTION: To avoid personal injury, the use of gloves may be necessary while handling fan parts with sharp edges.

2. Make sure all electrical connections comply with Local Codes or Ordinances, the National Electrical Code, and ANSI/NFPA 70-1999. If you are unfamiliar with electrical wiring or if the house/building wires are different colors than those referred to in the instructions, please use a qualified electrician.
3. Make sure you have a location selected for your fan that allows clear space for the blades to rotate, and at least ten (10) feet (3.05 meters) of clearance between the floor and the fan blade tips. The fan should be mounted so that the tips of the blades are at least thirty (30) inches (76 centimeters) from walls or other upright structures.
4. The outlet box and ceiling support joist used must be securely mounted, and capable of supporting at least 50 pounds (22.68 kilograms). The outlet box must be supported directly by the building structure. Use only CETL (Canada) or ETL (USA) listed outlet boxes marked "FOR FAN SUPPORT."

WARNING: To reduce the risk of fire, electrical shock, or personal injury, mount to the outlet box marked "Acceptable for Fan Support of 22.68 kg (50 lb) or less," and use the mounting screws provided with the outlet box. Most outlet boxes commonly used for the support of lighting fixtures are not acceptable for fan support and may need to be replaced. Consult a qualified electrician if in doubt.

WARNING: To reduce the risk of fire, electrical shock, or personal injury, wire connectors provided with this fan are designed to accept only one 12 gauge house wire and two lead wires from the fan. If your house wire is larger than 12 gauge or there is more than one house wire to connect to the corresponding fan lead wires, consult an electrician for the proper size wire connectors to use.

WARNING: If using this fan in a DAMP location, this fan must be connected to a supply circuit that is protected by a Ground Fault Circuit Interrupter (GFCI) to reduce the risk of personal injury, electrical shock or death.

5. Electrical diagrams are for reference only. Light kits that are not packed with the fan must be CETL (Canada) or ETL (USA) listed and marked suitable for use with the model fan you are installing. Switches must be CETL (Canada) or ETL (USA) general use switches. Refer to the instructions packaged with the light kits and switches for proper assembly.
6. After installation is complete, check that all connections are absolutely secure.
7. After making electrical connections, spliced conductors should be turned upward and pushed carefully up into the outlet box. The wires should be spread apart with the grounded conductor and the equipment-grounding conductor on opposite sides of the outlet box.

WARNING: To reduce the risk of fire or electrical shock, do not use this fan with any solid state speed control device or control fan speed with a full range dimmer switch. [Using a full range dimmer switch to control fan speed will cause a loud humming noise from fan.] (**Note:** This fan is suitable for use with remote control approved for DAMP locations.)

8. Do not operate the reverse switch until the fan has come to a complete stop. [**Note:** If using remote control with reverse capability, reverse fan blade direction *only* when on LOW speed.]
9. Do not insert anything between the fan blades while they are rotating.

WARNING: To reduce the risk of personal injury, do not bend the blade arms during assembly or after installation. Do not insert objects into the path of the blades.

WARNING: To avoid personal injury or damage to the fan and other items, be cautious when working around or cleaning the fan.

10. Do not use water or detergents when cleaning the fan or fan blades. A dry dust cloth or lightly dampened cloth will be suitable for most cleaning.

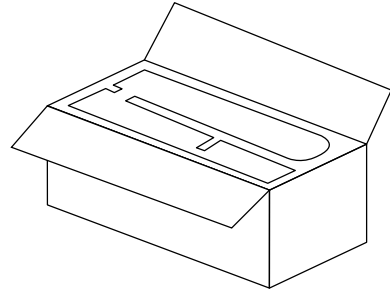
WARNING: To reduce the risk of personal injury, use **only** parts provided with this fan. **The use of parts OTHER than those provided with this fan will void the warranty.**

NOTE: The important safety precautions and instructions appearing in the manual are not meant to cover all possible conditions and situations that may occur. It must be understood that common sense and caution are necessary factors in the installation and operation of this fan.

1. Unpacking Your Fan.

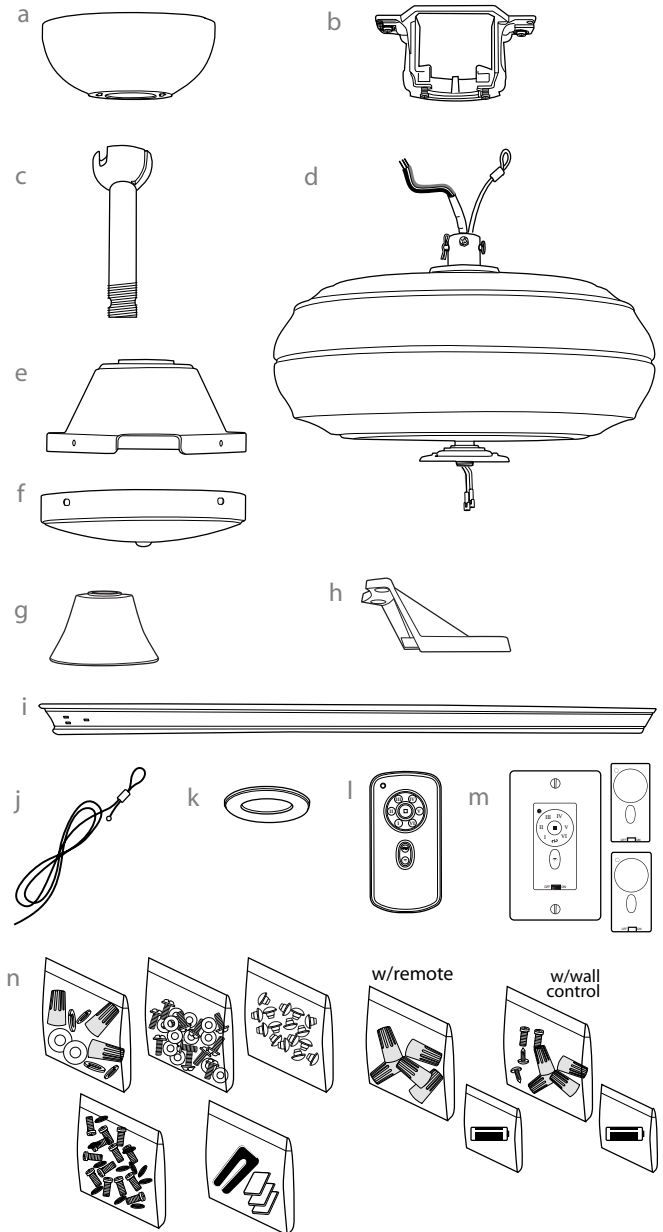
Carefully open the packaging. Remove items from Styrofoam inserts. Remove motor housing and place on carpet or Styrofoam to avoid damage to finish. Do not discard fan carton or Styrofoam inserts should this fan need to be returned for repairs.

Check against parts inventory that all parts have been included.



2. Parts Inventory.

- a. canopy. 1 piece
- b. hanging bracket. 1 piece
- c. downrod and hanging ball. 1 piece
- d. motor housing. 1 piece
- e. switch housing plate. 1 piece
- f. switch housing cap. 1 piece
- g. yoke cover. 1 piece
- h. blade arm. 6 pieces
- i. blade. 6 pieces
- j. safety cable (already attached to motor). 1 piece
- k. canopy cover (in hardware pack). 1 piece
- l. remote control transmitter. 1 piece
- m. wall control, plate and decor covers. 5 separate pieces
- n. hardware packs



! IMPORTANT REMINDER: You must use the parts provided with this fan for proper installation and safety. **!**

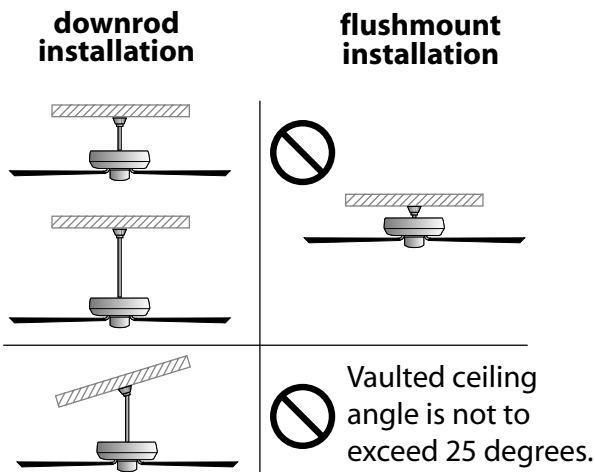
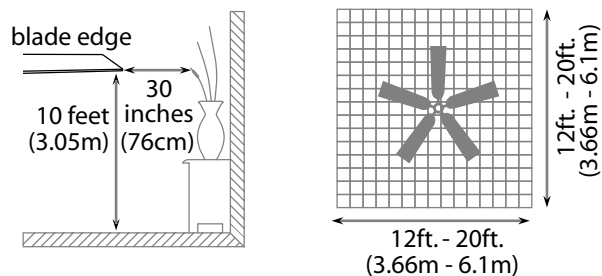
3. Installation Preparation.

To prevent personal injury and damage, ensure that the hanging location allows the blades a clearance of 10 feet (3.05m) from the floor and 30in. (76cm) from any wall or obstruction. This fan is suitable for room sizes up to 400 square feet (37.2 square meters).

This fan can be mounted with a **downrod** on a regular (no-slope) or vaulted ceiling. The hanging length can be extended by purchasing a longer downrod (0.5in./1.27cm diameter). Other installation, such as **flushmount**, is not available for this fan.

Installation requires these tools:

Phillips screwdriver, flathead screwdriver, adjustable pliers or wrench, stepladder, wire cutters, and rated electrical tape



4. Hanging Bracket Installation.

Turn off circuit breakers to current fixture from breaker panel and be sure operating light switch is turned to the OFF position.

WARNING: Failure to disconnect power supply prior to installation may result in serious injury.

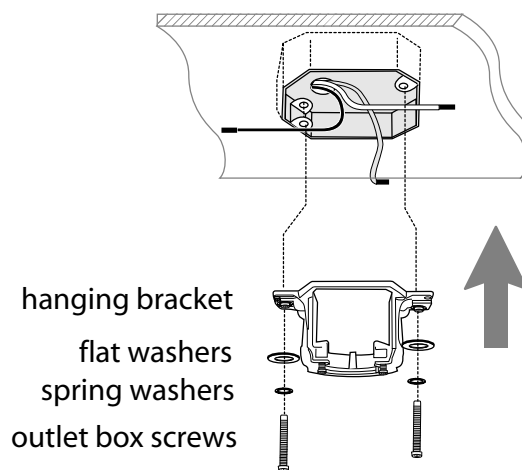
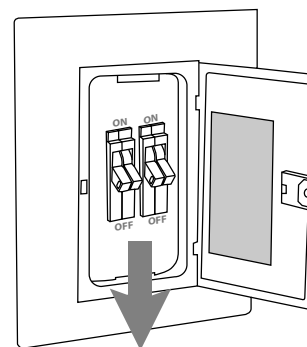
Remove existing fixture.

WARNING: WARNING: To reduce the risk of fire, electric shock, or personal injury, mount to outlet box marked "Acceptable for Fan Support of 22.68 kg (50lbs.) or Less" and use mounting screws provided with the outlet box. Most outlet boxes commonly used for the support of lighting fixtures are not acceptable for fan support and may need to be replaced. Consult a qualified electrician if in doubt. When using an existing outlet box, be sure the outlet box is securely attached to the building structure and can support the full weight of the fan. Ensure it is clearly marked "Suitable for Fan Support." If not, it must be replaced with an approved outlet box. Failure to do so can result in serious injury.

CAUTION: Be sure outlet box is grounded and that a ground wire (**GREEN** or bare) is present.

Install hanging bracket to outlet box using original screws, spring washers and flat washers provided with new or original outlet box.* If installing on a vaulted ceiling, face opening of hanging bracket towards high point of ceiling. Arrange electrical wiring around the back of the hanging bracket and away from the bracket opening.

***Note:** It is very important that you use the proper hardware when installing the hanging bracket as this will support the fan.



5. Fan Assembly.

If you wish to extend the hanging length of your fan, you must remove the hanging ball from the downrod provided to use with an extended downrod (sold separately). [If you wish to use the downrod provided, please proceed to instructions following the dotted line below.]

To remove hanging ball, loosen set screw on hanging ball, lower hanging ball and remove stop pin. Slide hanging ball off the original downrod, A, and slide it down the longer downrod, B (the top of the downrod should be noted as having a set screw hole; use this hole when setting the set screw). Insert stop pin into top of longer downrod and raise hanging ball. Be sure stop pin aligns with slots on the inside of the hanging ball. Tighten set screw securely. (**diagram 1**)

Remove blade arm screws and lock washers from underside of motor in order to remove blue motor stabilization plate. Blue motor stabilization plate may be discarded once removed. (**diagram 2**)

Tip: To prepare for threading electrical wires through downrod, apply a small piece of electrical tape to the ends of the electrical wires--this will keep the wires together when threading them through the downrod.

Locate canopy cover in hardware pack. Loosen yoke set screws and nuts at top of motor housing. Remove pin and clip from motor housing yoke. Slide downrod through canopy, canopy cover and yoke cover. [**Note:** Canopy cover must be turned with shiny side toward the motor housing.]

Thread safety cable and electrical wires through downrod and pull extra wire slack from the upper end of the downrod. (**diagram 3**)

Thread downrod into the motor housing yoke until holes for pin and clip in downrod align with holes in yoke--*make sure wires do not get twisted*. Re-insert pin and clip that were previously removed. Tighten yoke set screws and nuts securely. Lower yoke cover to motor housing.

["Fan Assembly" continued on next page.]

NOTE: The important safety precautions and instructions appearing in the manual are not meant to cover all possible conditions and situations that may occur. It must be understood that common sense and caution are necessary factors in the installation and operation of this fan.

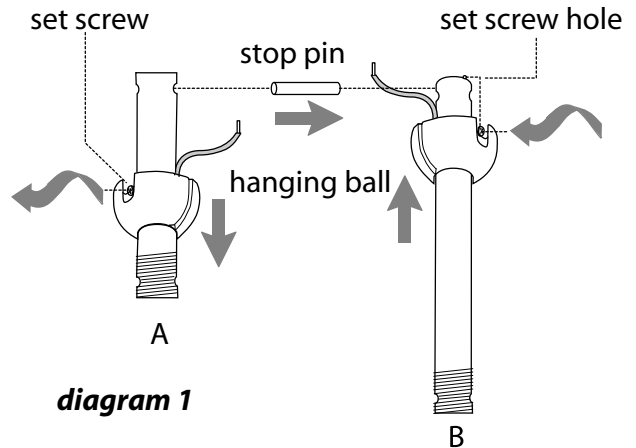


diagram 1

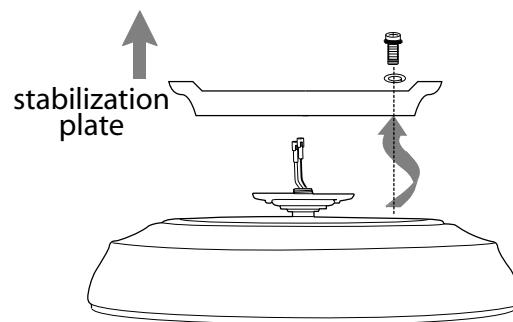


diagram 2

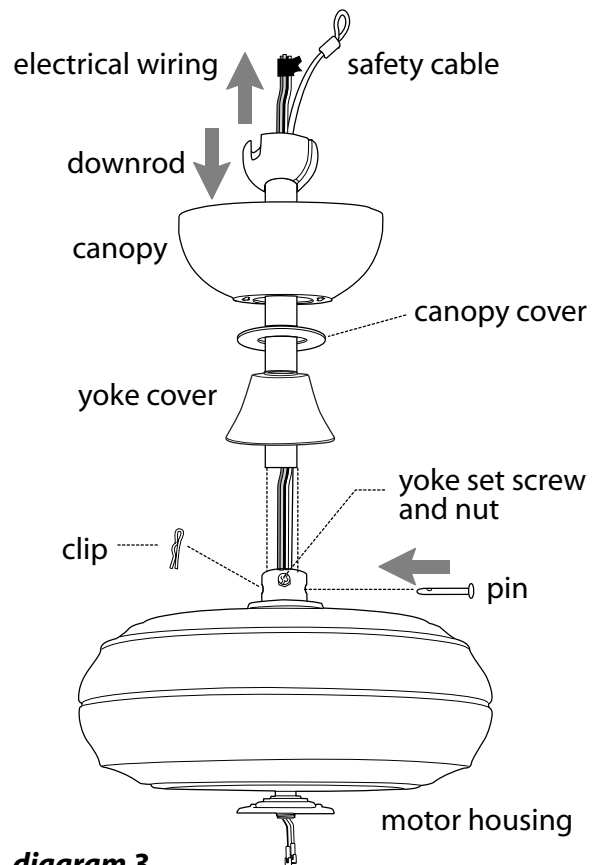


diagram 3

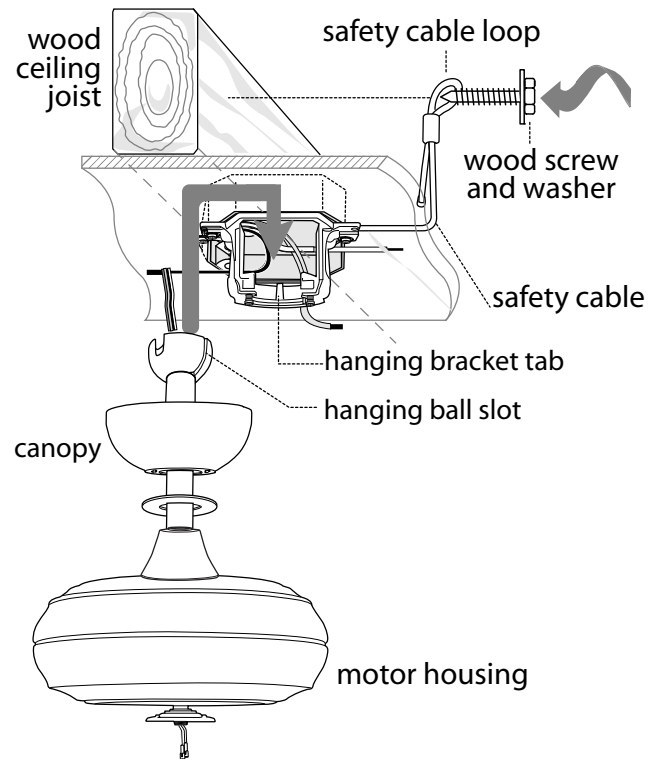
5. Fan Assembly. (cont.)

With the hanging bracket secured to the outlet box and able to support the fan, you are now ready to hang your fan. Grab the fan firmly with two hands. Slide downrod through opening in hanging bracket and let hanging ball rest on the hanging bracket. Turn the hanging ball slot until it lines up with the hanging bracket tab.

WARNING: Failure to align slot in hanging ball with tab in hanging bracket may result in serious injury or death.

Tip: Seek the help of another person to hold the stepladder in place and to help lift the fan up to you once you are set on the ladder.

Find a secure attachment point (wood ceiling joist highly recommended) and secure safety cable. It will be necessary to use a heavy duty wood screw, washer and lock washer (not supplied) with the safety cable loop. If necessary, adjust the loop at the end of the safety cable. The loop at the end of the safety cable should just fit over the threads on the wood screw. Extra cable slack can be left in ceiling area.



6. Wiring.

CAUTION: Be sure outlet box is properly grounded or that a ground wire (**GREEN** or Bare) is present.

Make sure all electrical connections comply with Local Codes or Ordinances and the National Electrical Code. If you are unfamiliar with electrical wiring or if the house/building wires are different colors than those referred to below, please use a qualified electrician.

Note: Excess lead wire length from the fan can be cut to the desired length and then stripped.

WARNING: If using this fan in a **DAMP** location, this fan must be connected to a supply circuit that is protected by a Ground Fault Circuit Interrupter (GFCI) to reduce the risk of personal injury, electrical shock or death.

When fan is secured in place on the hanging bracket, electrical wiring can be made as follows:

Connect **BLACK** wire from fan to **BLACK** wire from ceiling with wire connector provided.

Connect **WHITE** wire from fan to **WHITE** wire from ceiling with wire connector provided.

Connect all **GROUND (GREEN)** wires together from fan to **BARE/GREEN** wire from ceiling with wire connector provided.

Since this fan does not come with a light kit, you will need to cap off the **BLUE** wire with a wire connector (as shown with arrow in diagram). [**Note:** If you elect to purchase a light kit for the fan, the **BLUE** wire from the fan must be connected to the **BLACK** wire from the ceiling instead.]

* Wrap each wire connector separately with electrical tape as an extra safety measure.

IN ORDER TO WIRE WALL CONTROL, remove existing wall switch. Wire the **WALL CONTROL** with wire connectors provided as shown in *diagram at right*.

* Wrap each wire connector separately with electrical tape as an extra safety measure. Gently push wires and taped wire connectors into outlet box.

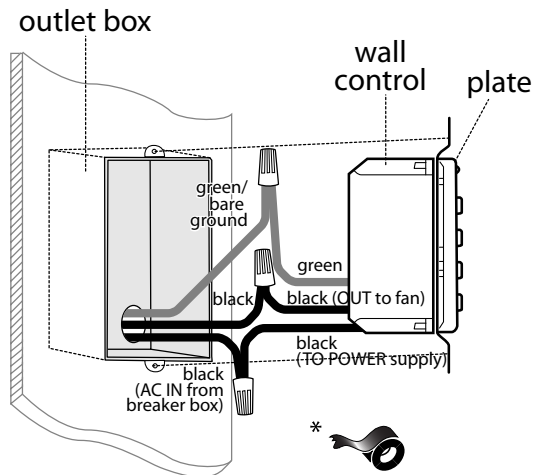
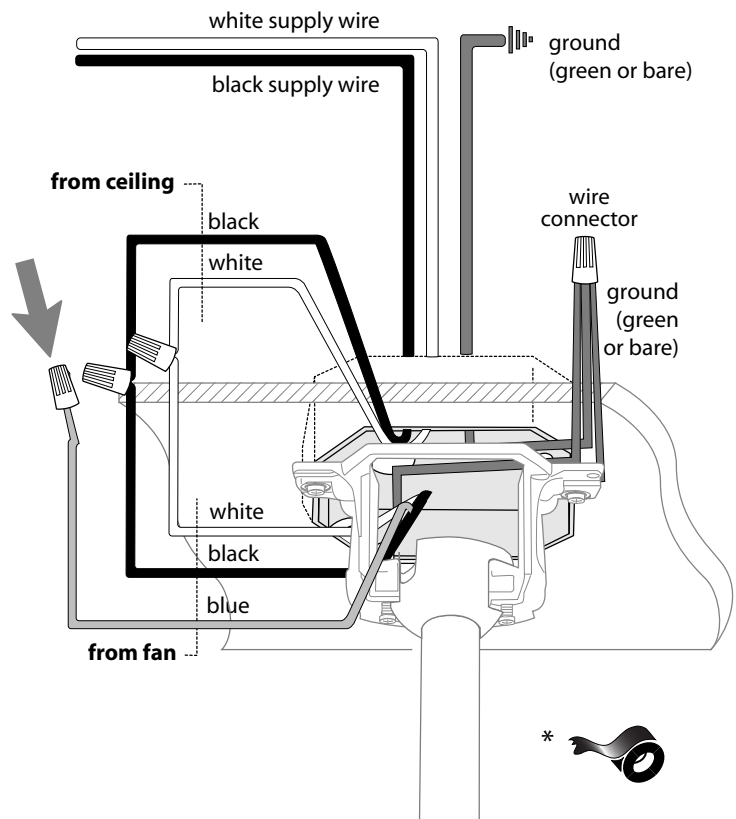
WARNING: CONNECT WIRES IN THE FOLLOWING ORDER ONLY!

WARNING: Turn off circuit breakers to current fixture from breaker panel and be sure switch is turned to the OFF position.

Connect **GREEN** ground wire to ground from house or directly to one of the screws from the outlet box.

Connect one **BLACK** wire from wall control to **BLACK** (hot) lead wire from house. Connect second **BLACK** wire from wall control to **BLACK** load wire to fan.

Attach wall control to outlet box and secure with screws from original wall switch. Attach front plate to wall control using 2 screws provided in the wall control.



(wiring for wall control)

Modifications not approved by the party responsible for compliance could void the user's authority to operate the equipment.

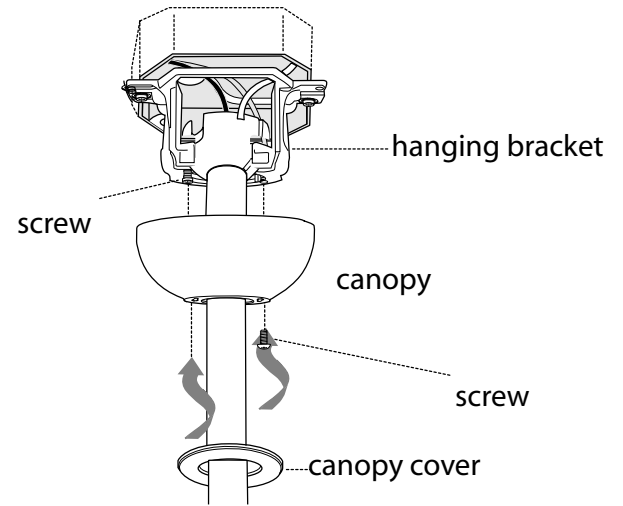
*NOTE: This equipment has been tested and found to comply with the limits for a Class B digital device, pursuant to Part 15 of the FCC Rules. These limits are designed to provide reasonable protection against harmful interference in a residential installation. This equipment generates, uses and can radiate radio frequency energy and, if not installed and used in accordance with the instructions, may cause harmful interference to radio communications. However, there is no guarantee that interference will not occur in a particular installation. If this equipment does cause harmful interference to radio or television reception, which can be determined by turning the equipment off and on, the user is encouraged to try to correct the interference by one or more of the following measures:

- * Reorient or relocate the receiving antenna.
- * Increase the separation between the equipment and receiver.
- * Connect the equipment into an outlet on a circuit different from that to which the receiver is connected.

Consult the dealer or an experienced radio/TV technician for help.

7. Canopy Assembly.

Locate 2 screws on underside of hanging bracket and remove screw closest to the open end of the hanging bracket. Partially loosen the other screw. Lift canopy to hanging bracket. Place rounded part of slotted hole in canopy over loosened screw in hanging bracket and push up. Twist canopy to lock. Re-insert screw that was removed, and then tighten both screws securely. Slide canopy cover up to canopy, aligning rounded part of slotted holes in canopy cover with screw heads in bottom of canopy. Turn canopy cover to the right (clockwise) until it stops.



8. Blade Assembly.

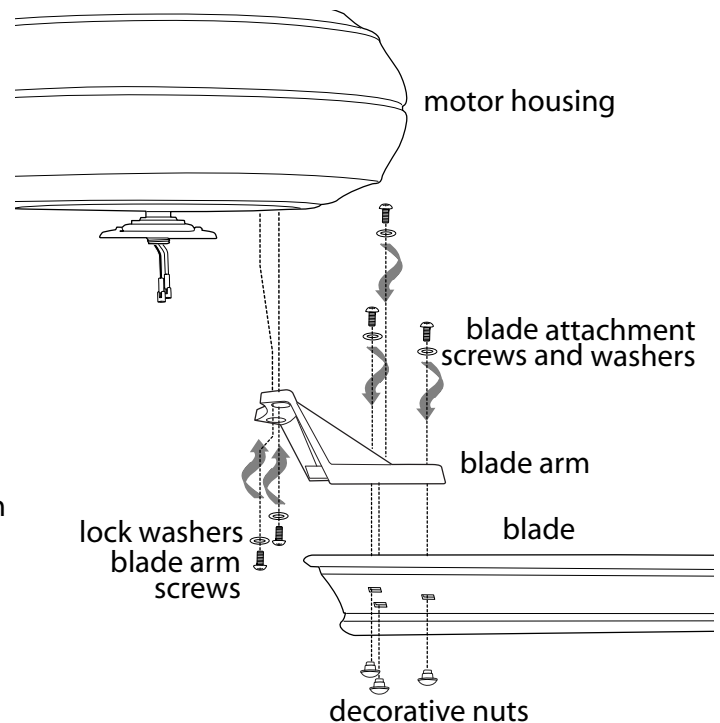
This fan can be used with either 3 or 6 blades.

Time Saver: Washers for blade screws can be set on each blade screw prior to installing blades.

Locate 18 blade attachment screws and washers and 18 decorative nuts in hardware packs. Place blade arm on TOPSIDE of blade, aligning holes in blade arm with holes in blade as shown. [Be sure to note label on blade indicating **THIS SIDE UP** and turn blade so that label faces up.] With fingers, insert 3 blade attachment screws (along with washers) from the TOPSIDE of blade and 3 decorative nuts from UNDERSIDE of blade, making sure to **completely insert** each screw so that the blade arm can be attached correctly. Repeat procedure for remaining blades. Securely tighten screws with Phillips screwdriver.

Locate blade arm screws and lock washers in hardware packs. Align blade arm holes with motor screw holes and attach blade arm with lock washers and blade arm screws. Before securing screws permanently, repeat this procedure with remaining blade arms. Secure all screws.

Note: Tighten blade arm screws twice a year.

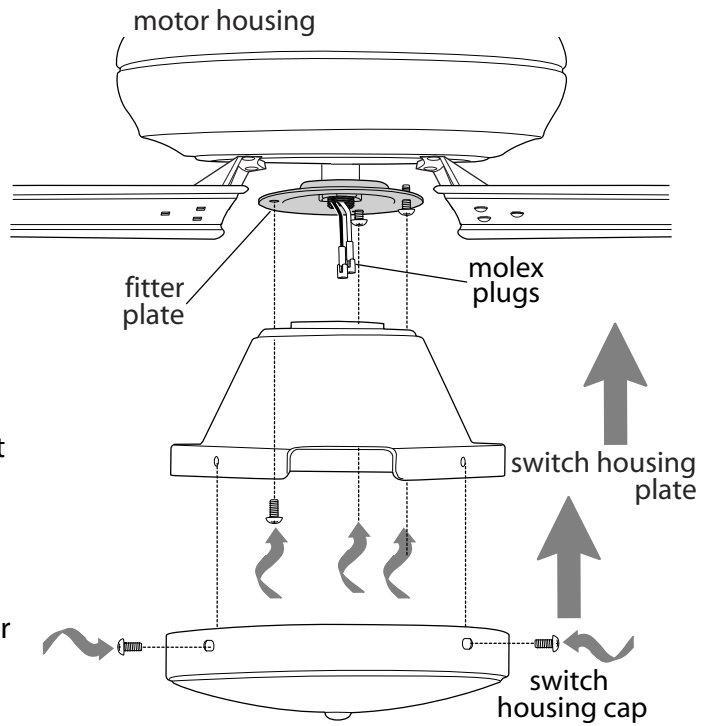


9. Switch Housing Assembly.

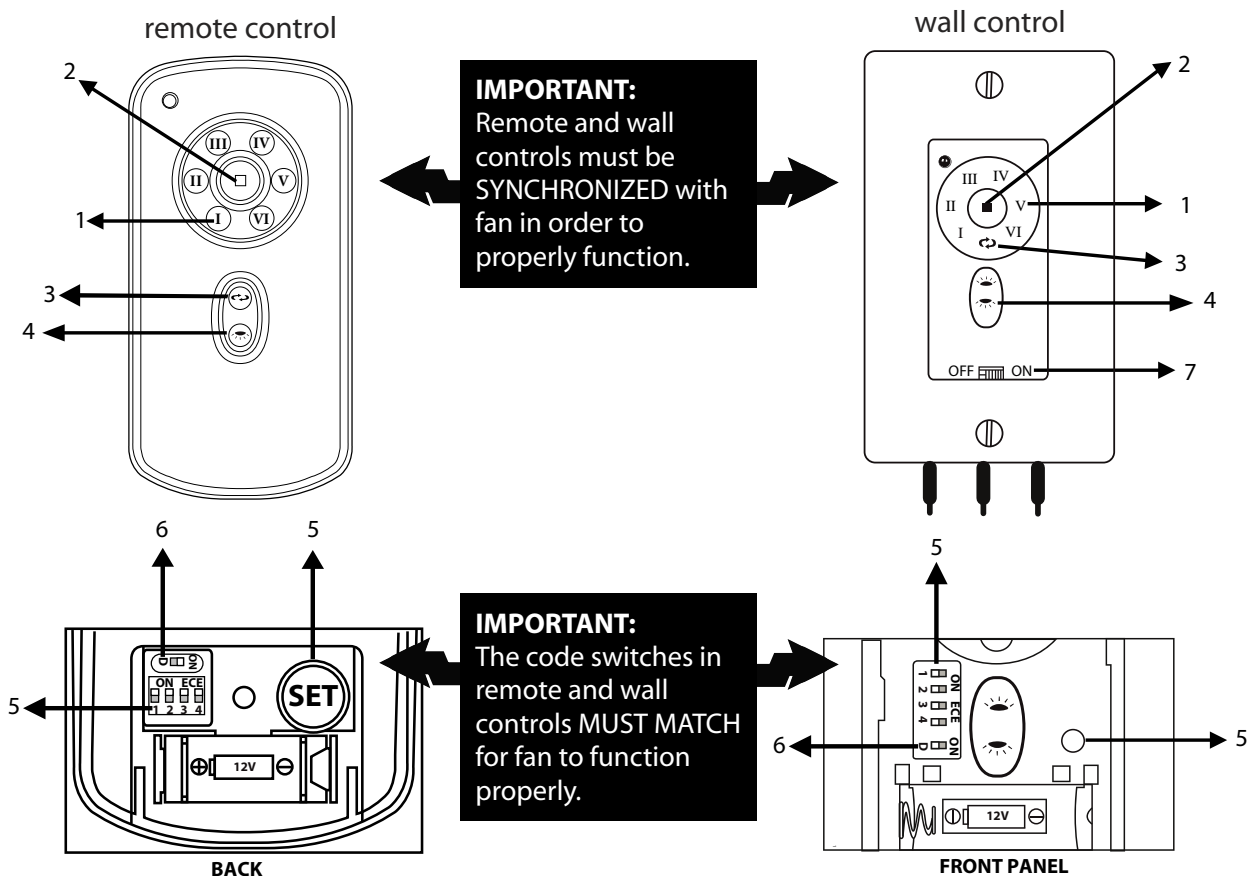
Remove 4 screws from outer edge of switch housing plate (save screws for later use).

Remove 1 screw from fitter plate on underside of motor and partially loosen the other 2 screws. Align slotted holes in center of switch housing plate with loosened screws in fitter plate, allowing molex plugs from motor housing to come through hole in middle of switch housing plate. Twist switch housing plate to lock. Re-insert screw that was removed and secure all 3 screws.

Align holes in switch housing cap with holes in switch housing plate. Re-insert screws that were previously removed and use a Phillips screwdriver to secure all 4 screws.



10. Automated Learning Process./Activating Code.



["Automated Learning Process/Activating Code" continued on next page.]

10. Automated Learning Process./Activating Code. (cont.)

Remove battery cover on back side of remote control transmitter.

Install 12-volt battery (provided) in transmitter and wall control.

IMPORTANT: Store the transmitter away from excess heat or humidity. To prevent damage to transmitter, remove the battery if not used for long periods.

- | | |
|--|---|
| Fan SPEED control buttons 1: | Use to control the ceiling fan speed 1-6 |
| Fan OFF button 2: | Use to turn the fan off |
| REVERSE function button 3: | Use to control fan direction |
| LIGHTING button 4: | Use to control down-light and up-light (if applicable) |
| CODE SWITCHES and SET button 5: | With fan power off, arrange CODE SWITCHES to desired code setting. Turn fan power on, press and hold SET button on back of remote control and on wall control for 5 seconds within 60 seconds of powering fan in order to synchronize with fan motor. |
| DIMMING function 6: | Dimming capability is determined by the type of bulbs provided with the fan. If no bulbs are provided, dimming functions will not work. |
| ON/OFF slider switch 7: | OFF position = D On position = ON
[Wall control only] Use to turn wall control on or off |

Replace the battery cover on transmitter. Select decor cover for wall control and press firmly onto front of wall control.

11. Testing Your Fan.

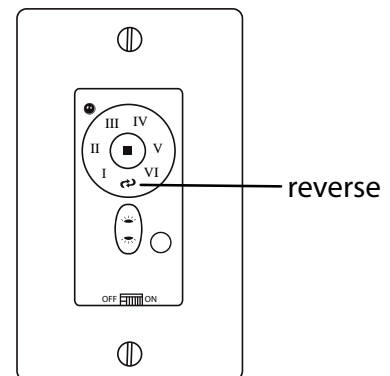
It is recommended that you test fan before finalizing installation. Locate ON/OFF slider switch on wall control and set to the ON position. Test fan speeds with the different fan speed buttons. If the remote control operates all of the functions of the fan, battery has been installed correctly. If the wall and/or remote controls do (does) not operate all of the fan functions, refer to "Troubleshooting" section to solve any issues before contacting Customer Service.

Fan *must* be on LOW *before* setting the fan in reverse. Reverse blade rotation (with ↻ button) to recirculate air depending on the season.. A ceiling fan will allow you to raise your thermostat setting in summer and lower your thermostat setting in winter without feeling a difference in your comfort.

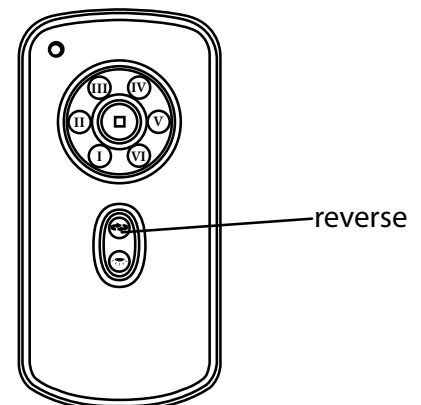
NOTE: If the wall/remote control interferes with other appliances, change code switches on the wall/remote control to another code. If you do change the code, **turn power off first**. After setting the new code on the wall/remote control, go back to instructions regarding the SET button in Section 10 (page 9).

IMPORTANT: Remote and wall controls must be synchronized with fan in order to properly function.

Wall Control



Remote Control



Troubleshooting.

WARNING: Failure to disconnect power supply prior to troubleshooting any wiring issues may result in serious injury.

Problem: Fan fails to operate.

Solutions:

1. Check power to wall switch/wall control.
2. Check to be sure code switches in remote control transmitter and wall control are set properly.
3. Verify that wall control is wired properly.
4. Check to be sure fan is wired properly.
5. Check that red light on remote control transmitter turns on when a button is pressed indicating that the battery is good.
6. Learning process between fan, remote control transmitter and wall control may not have been successful and code was not activated. Turn off power and repeat instructions regarding Code switches and SET button in Section 10 (page 9).

Problem: Fan fails to operate with remote control and/or wall control.

Solutions:

1. Check that red light on remote control transmitter turns on when a button is pressed indicating that the battery is good.
2. Check to be sure code switches in remote control transmitter and wall control are set properly.
3. Learning process between fan, remote control transmitter and wall control may not have been successful and code was not activated. Turn off power and repeat instructions regarding Code switches and SET button in Section 10 (page 9).

Problem: Fan wobbles.

Solutions:

1. Use the balancing kit provided in one of the hardware packs. If no blade balancing kit is provided, please call Customer Support, 1-800-486-4892, to request one.
2. Check to be sure set screw(s) on motor housing yoke is (are) tightened securely.
3. Check to be sure set screw on hanging ball is tightened securely.

Parts Replacement.

For parts and information, please refer to "Parts Inventory" on page 2.

Craftmade/Ellington Customer Support:

1-800-486-4892

www.craftmadebrands.com

Warranty.

CRAFTMADE/ELLINGTON LIFETIME WARRANTY:

CRAFTMADE/ELLINGTON warrants this fan to the original household purchaser for indoor use under the following provisions:

1-YEAR WARRANTY: CRAFTMADE/ELLINGTON will replace or repair any fan which has faulty performance due to a defect in material or workmanship. Contact Craftmade/Ellington Customer Service at **1-800-486-4892** to arrange for return of fan. Return fan, shipping prepaid, to Craftmade/Ellington. We will repair or ship you a replacement fan, and we will pay the return shipping cost.

5-YEAR WARRANTY: CRAFTMADE/ELLINGTON will repair or replace at no charge to the original purchaser any fan motor that fails to operate satisfactorily when failure results from normal use.

RETURN FAN MOTOR ONLY, shipping prepaid, to Craftmade/Ellington. We will repair or ship purchaser a replacement motor and Craftmade/Ellington will pay the return shipping cost.

6-YEAR to LIFETIME LIMITED WARRANTY:

CRAFTMADE/ELLINGTON will repair the fan, at no charge for labor only to the original purchaser, if the fan motor fails to operate satisfactorily when failure results from normal use. Parts used in the repair will be billed to the purchaser at prevailing prices at time of repair.

The purchaser shall be responsible for all costs incurred in the removal, reinstallation and shipping of the product for repairs.

This warranty does not apply when damage from mechanical, physical, electrical or water abuse results in causing the malfunction. Deterioration of finishes or other parts due to time or exposure to salt air is specifically exempted under this warranty.

Neither Craftmade/Ellington nor the manufacturer will assume any liability resulting from improper installation or use of this product. In no case shall the company be liable for any consequential damages for breach of this, or any other warranty expressed or implied whatsoever. This limitation as to consequential damages shall not apply in states where prohibited.





Guía de instalación

Para modelos:

COL72BP6

COL72ESP6

COL96BP6

COL96ESP6

Índice de materias:

Sugerencias de seguridad. Pág. 1

Desempaquetado del ventilador. Pág. 2

Inventario de piezas. Pág. 2

Preparación para la instalación. Pág. 3

Instalación del soporte de montaje. Pág. 3

Ensamblaje del ventilador. Págs. 4 - 5

Instalación eléctrica. Pág. 6

Colocación de la cubierta decorativa. Pág. 7

Colocación de las aspas. Pág. 7

Instalación de la caja de encendido. Pág. 8

Proceso de aprendizaje automático./

Activar el código. Págs. 8-9

Verificación del funcionamiento del ventilador. Pág. 9

Localización de fallas. Pág. 10

Piezas de repuesto. Pág. 10

Garantía. Pág. 10



Intertek
3170356

APROBADO PARA USO
EN LUGARES HÚMEDOS

peso neto del ventilador: 15,62 kg (34,43 lb) COL72BP6, COL72ESP6
16,00 kg (35,27 lb) COL96BP6, COL96ESP6

IMPRESO EN CHINA

SUGERENCIAS DE SEGURIDAD.

ADVERTENCIA: Para evitar la posibilidad de una descarga eléctrica, desconectar la corriente en la caja de fusibles principal o el interruptor protector antes de iniciar la instalación del ventilador o antes de repararlo o instalar accesorios.

1. **LEER TODAS LAS INSTRUCCIONES E INFORMACION DE SEGURIDAD CUIDADOSAMENTE ANTES DE INSTALAR SU VENTILADOR Y GUARDAR ESTAS INSTRUCCIONES.**

PRECAUCION: Para reducir el riesgo de daño corporal, es posible que sea necesario usar guantes al manejar las piezas del ventilador que tengan bordes afilados.

2. Asegurarse de que todas las conexiones eléctricas cumplan con los Códigos o las Ordenanzas Locales, el Código Nacional Eléctrico y ANSI/NFPA 70-1999. Si usted no está familiarizado con el alambrado eléctrico o los cables de la casa/el edificio son de colores diferentes a los cuales se refieren en las instrucciones, favor de buscar un electricista calificado.
3. Asegurarse de que haya localizado una ubicación para su ventilador que permite el espacio necesario para la rotación de las aspas, y por lo menos 3,05 metros (10 pies) de espacio libre entre el piso y las puntas de las aspas. Debe instalar el ventilador para que las puntas de las aspas queden a una distancia de por lo menos 76 centímetros (30 pulgadas) de las paredes y otras estructuras verticales.
4. La caja de salida eléctrica debe estar bien sujeta a la viga de soporte del techo y deben ser capaces de sostener por lo menos 22,68 kilogramos (50 libras). La caja de salida debe tener apoyo directo de la estructura del edificio. Sólo usar cajas de salida registradas con CETL (Canadá) o ETL (EEUU) que indican que "sirven para ventilador" ("FOR FAN SUPPORT" en inglés).

ADVERTENCIA: Para reducir el riesgo de incendio, descarga eléctrica o daño corporal, instalar en la caja de salida marcada "Aceptable para sostener ventilador de 22,68 kg (50 lb) o menos" ["Acceptable for Fan Support of 22.68 kg (50 lb) or less"] y utilizar los tornillos proporcionados con la caja de salida. La mayoría de las cajas de salida que normalmente se usan para sostener los aparatos de alumbrado no siempre son apropiadas para sostener ventiladores y es posible que las tenga que reemplazar. En caso de duda, consultar con un electricista calificado.

ADVERTENCIA: Para reducir el riesgo de incendio, descarga eléctrica o daño corporal, los conectores para cable provistos con este ventilador son diseñados para aceptar sólo un cable de calibre 12 de la casa y dos cables principales del ventilador. Si el calibre del cable de la casa es superior al 12 o hay más de un cable de la casa para conectar a los cables principales del ventilador al cual corresponda cada uno, consultar con un electricista para informarse sobre el tamaño correcto de conectores para cable que se debe usar.

ADVERTENCIA: Si va a utilizar este ventilador en un lugar HÚMEDO, hay que conectar el ventilador a un circuito de alimentación que esté protegido por un Interruptor de Circuito de Falla de Tierra (GFCI, por sus siglas en inglés) para reducir el riesgo de daño corporal, descarga eléctrica o la muerte.

5. Los diagramas eléctricos son únicamente para referencia. Los juegos de luz que no se incluyen con el ventilador deben tener el símbolo CETL (Canadá) o ETL (EEUU) y también deben indicar que sirven para uso con este ventilador. Los interruptores deben ser interruptores de uso general CETL (Canadá) o ETL (EEUU). Referirse a las instrucciones incluidas con el juego de luz y los interruptores para ensamblarlos correctamente.
6. Después de haber terminado la instalación, asegurarse de que todas las conexiones estén totalmente seguras.
7. Después de haber terminado todas las conexiones eléctricas, los conductores empalmados deben ser volteados para arriba y colocados cuidadosamente dentro de la caja de salida. Los alambres se deben de separar con el conductor a tierra a un lado y el conductor a tierra del equipo al lado opuesto.

ADVERTENCIA: Para reducir el riesgo de incendio o una descarga eléctrica, no usar el ventilador con ningún control de velocidad de estado sólido ni controlar la velocidad del ventilador con un interruptor con reductor de luz de gama completa. [El usar un interruptor con reductor de luz de gama completa para controlar la velocidad del ventilador causara un zumbido recio del ventilador.] **(Nota:** Este ventilador sí sirve para usar con control remoto que tenga aprobación para lugares HUMEDOS).

8. No utilizar el interruptor de reversa hasta que el ventilador se haya parado completamente. **[Nota:** Si se usa un control remoto con capacidad de reversa, cambiar la dirección de las aspas sólo cuando el ventilador esté en velocidad BAJA.]
9. No insertar ningún objeto entre las aspas mientras estén rotando.

ADVERTENCIA: Para reducir el riesgo de daño corporal, no doblar los brazos de las aspas durante el ensamblaje ni durante la instalación. No insertar objetos entre las aspas mientras estén rotando.

ADVERTENCIA: Para reducir el riesgo de daño corporal o algún daño al ventilador, tener cuidado al estar trabajando alrededor del ventilador o limpiándolo.

10. No utilizar agua ni detergentes para limpiar el ventilador ni las aspas. Usar un trapo seco o ligeramente húmedo para su limpieza general.

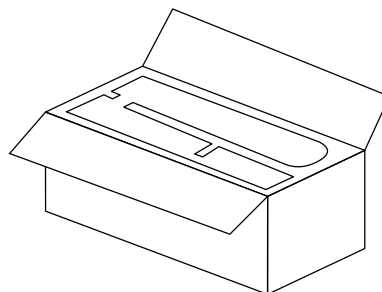
ADVERTENCIA: Para reducir el riesgo de daño corporal, usar **sólo** las piezas provistas con este ventilador. **Al usar piezas DISTINTAS a las provistas con este ventilador se invalidará la garantía.**

NOTA: No se debe concluir que las precauciones de seguridad importantes e instrucciones en este manual van a abarcar todas las condiciones y situaciones posibles que puedan ocurrir. Se debe entender que el sentido común y la precaución son factores necesarios en la instalación y la operación de este ventilador.

1. Desempaquetado del ventilador.

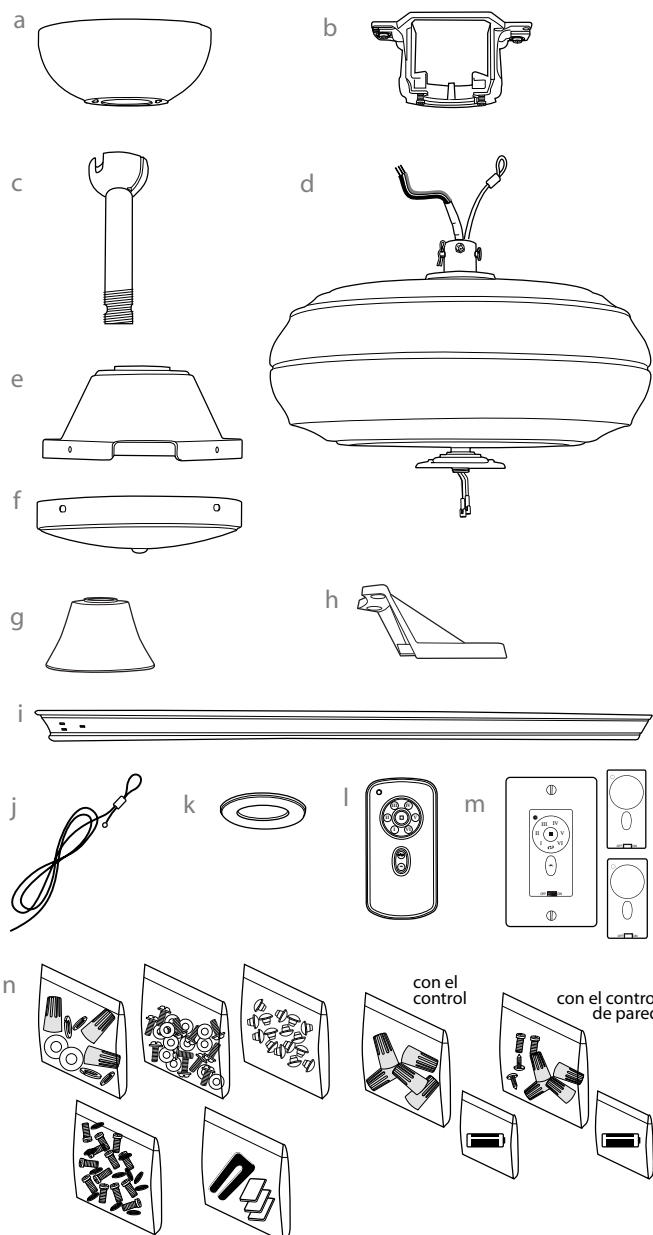
Abrir el empaque cuidadosamente. Sacar los artículos del embalaje. Sacar el motor y ponerlo en una alfombra o en el embalaje para evitar rayar el acabado. Guardar la caja de cartón o el empaquetamiento original en caso de que tenga que mandar el ventilador para alguna reparación.

Comprobar las piezas del ventilador con el inventario de piezas y verificar que se incluyeron todas.



2. Inventario de piezas.

- a.** cubierta decorativa. 1 unidad
- b.** soporte de montaje. 1 unidad
- c.** tubo y bola que sirve para colgar. 1 unidad
- d.** bastidor del motor. 1 unidad
- e.** placa de la caja de encendido. 1 unidad
- f.** cubierta de la caja de encendido. 1 unidad
- g.** cubierta del cuello. 1 unidad
- h.** brazo para el aspa. 6 unidades
- i.** aspa. 6 unidades
- j.** cable de seguridad (fijado de antemano al motor). 1 unidad
- k.** tapa de la cubierta decorativa (en paquete de artículos de ferretería). 1 unidad
- l.** transmisor del control remoto. 1 unidad
- m.** control de pared, placa y paneles decorativos. 5 unidades distintas
- n.** paquetes de artículos de ferretería



! RECORDATORIO IMPORTANTE:
Se tienen que utilizar las piezas provistas con este ventilador para una instalación adecuada y su seguridad. **!**

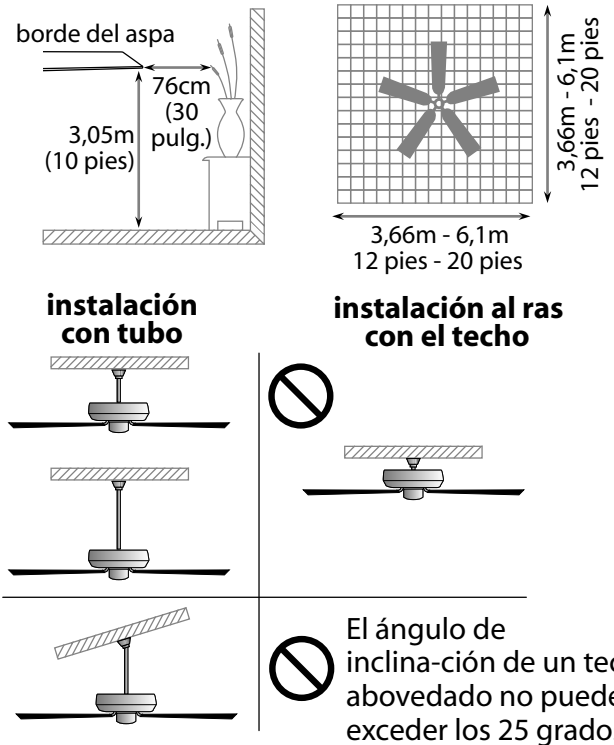
3. Preparación para la instalación.

Para prevenir daño corporal y otros daños, estar seguro de que el lugar en donde va a colgar el ventilador le permite un espacio libre de 3,05m (10 pies) entre las puntas de las aspas y el piso y 76cm (30 pulg.) entre las aspas y cualquier pared u otra obstrucción. Este ventilador es adecuado para habitaciones hasta 37,2 metros cuadrados (400 pies cuadrados).

Se puede colgar este ventilador **con tubo** en un techo regular (sin inclinación) o abovedado. La longitud colgante se puede extender comprando un tubo más largo (con diámetro de 1,27cm/0,5 pulg.). No hay ningún otro tipo de instalación, como **al ras con el techo**, disponible para este ventilador.

Se necesitan las herramientas siguientes para la instalación:

Destornillador de estrella Phillips, destornillador de paleta (plano), alicates ajustables o llave de tuercas, escalera de tijera, cortaalambres y cinta aisladora



4. Instalación del soporte de montaje.

Apagar los cortacircuitos en el panel de electricidad que suplen corriente a la caja de salida y asegurarse de que el interruptor de luz esté APAGADO.

ADVERTENCIA: El no desconectar el suministro de fuerza antes de la instalación puede tener por resultado lesiones graves.

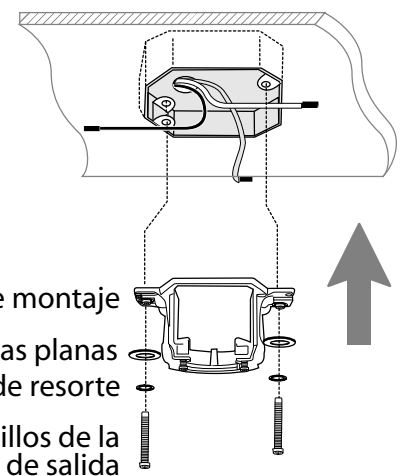
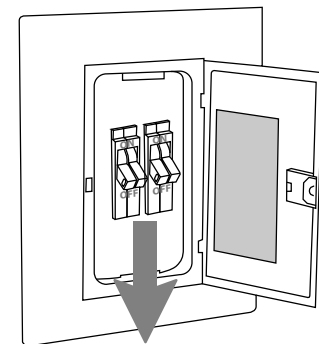
Quitar el aparato existente.

ADVERTENCIA: Para reducir el riesgo de incendio, descarga eléctrica, o daño corporal, instalar el ventilador en una caja de salida marcada como adecuada para sostener un ventilador de 22,68 kg (50 lb.) o menos y usar los tornillos de montaje provistos con la caja de salida. La mayoría de las cajas de salida que se usan comúnmente para sostener aparatos de alumbrado no son aceptables para ventilador y es posible que sea necesario reemplazarla. Consultar con un electricista calificado en caso de duda. Si utiliza una caja de salida existente, asegurarse de que la caja de salida esté firmemente conectada a la estructura del edificio y que sea capaz de sostener el peso total del ventilador. Asegurarse de que la caja indique claramente que "Sirve para ventilador" (FOR FAN SUPPORT); si no, se debe reemplazar con una caja de salida aprobada. El no hacer el cambio si es necesario puede resultar en lesiones graves.

PRECAUCION: Asegurarse de que la caja de salida esté conectada a tierra correctamente y que haya un conductor a tierra (cable VERDE o pelado).

Instalar el soporte de montaje utilizando los tornillos originales, las arandelas de resorte y las arandelas planas de su nueva o existente caja de salida.* Si hace la instalación en un techo abovedado, colocar el soporte de montaje con la abertura dirigida hacia la parte alta del techo. Arreglar el alambrado eléctrico (los cables) en la parte de atrás del soporte y lejos de la abertura del soporte.

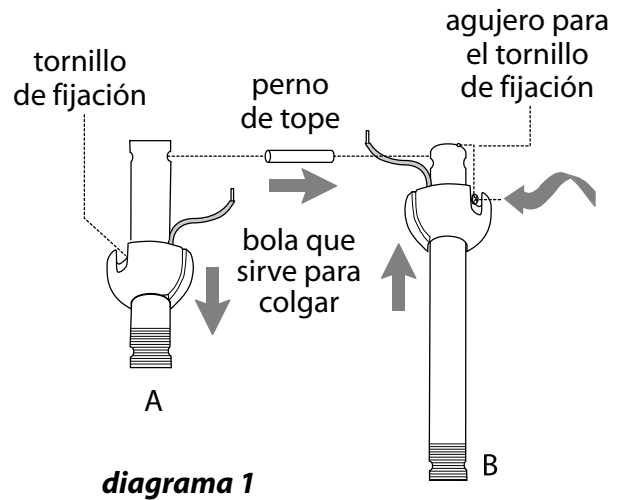
*Nota: Es muy importante usar los artículos de ferretería correctos al instalar el soporte de montaje puesto que sirve para sostener el ventilador.



5. Ensamblaje del ventilador.

Si usted desea extender la longitud colgante del ventilador, usted tendrá que quitar la bola que sirve para colgar del tubo provisto para usarla con un tubo más largo (a la venta por separado). [Si desea utilizar el tubo provisto, favor de pasar a las instrucciones después de la línea punteada más abajo.]

Para quitar la bola que sirve para colgar, aflojar el tornillo de fijación de la bola que sirve para colgar, bajar la bola que sirve para colgar y sacar el perno de tope. Quitar la bola que sirve para colgar del tubo original, A, y deslizarla sobre el tubo más largo, B (la parte de arriba del tubo debe tener el agujero para el tornillo de fijación en ese extremo; usar ese agujero al colocar el tornillo de fijación). Introducir el perno de tope en la parte de arriba del tubo más largo y subir la bola que sirve para colgar. Asegurarse de que el perno de tope se ponga en línea con las ranuras dentro de la bola que sirve para colgar. Apretar bien el tornillo de fijación (**diagrama 1**).



Quitar los tornillos para los brazos para las aspas y las arandelas de seguridad del lado inferior del motor para así quitar la placa de estabilización del motor de color azul. La placa de estabilización del motor de color azul se puede desechar una vez quitada (**diagrama 2**).

Sugerencia: Para preparar los cables para pasarlos por el tubo, poner un pedacito de cinta aisladora en la punta de los cables—esto mantendrá los cables juntos al pasarlos por el tubo.

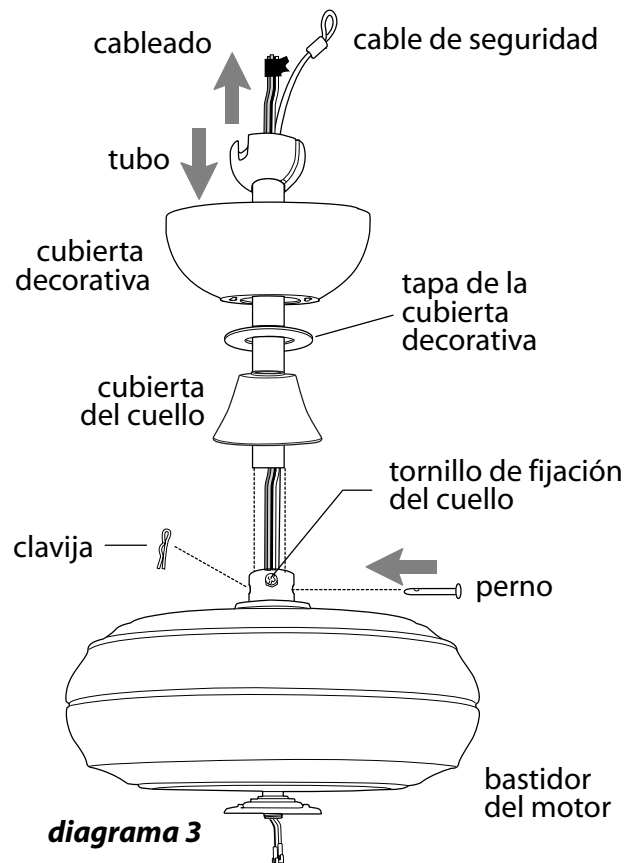
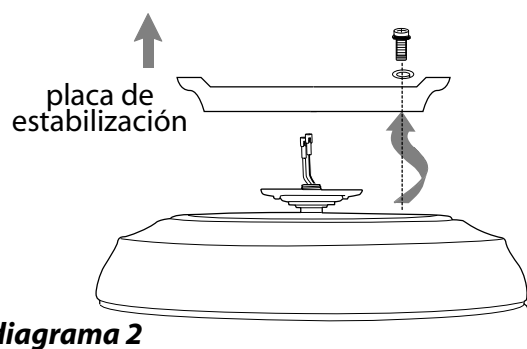
Localizar la tapa de la cubierta decorativa en uno de los paquetes de artículos de ferretería. Aflojar los tornillos de fijación del cuello y las tuercas en el cuello del bastidor del motor. Quitar el perno y la clavija del cuello del bastidor del motor. Pasar el tubo por la cubierta decorativa, la tapa de la cubierta decorativa y la cubierta del cuello. [Nota: Se tiene que voltear la tapa de la cubierta decorativa para que el lado brillante dé al bastidor del motor.]

Pasar los cables del ventilador y el cable de seguridad a través del tubo y con cuidado jalar el cableado en exceso por la parte de arriba del tubo (**diagrama 3**).

Enroskar el tubo en el cuello del bastidor del motor hasta alinearse los agujeros para el perno y la clavija en el tubo con los del cuello—asegurarse de que no se tuerzan los cables. Volver a introducir el perno y la clavija que se quitaron anteriormente. Apretar los tornillos de fijación del cuello y la tuerca completamente. Bajar la cubierta del cuello hasta el bastidor del motor.

[El "Ensamblaje del ventilador" continúa en la página siguiente.]

NOTA: No se debe concluir que las precauciones de seguridad importantes e instrucciones en este manual van a abarcar todas las condiciones y situaciones posibles que puedan ocurrir. Se debe entender que el sentido común y la precaución son factores necesarios en la instalación y la operación de este ventilador.



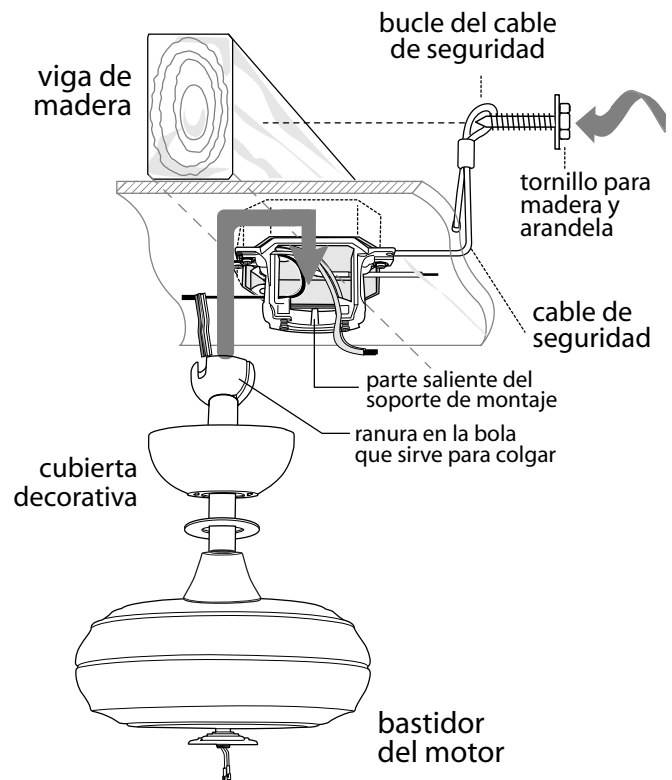
5. Ensamblaje del ventilador. (cont.)

Ya que esté sujetado el soporte de montaje a la caja de salida y capaz de apoyar el ventilador, usted está listo para colgar el ventilador. Agarrar el ventilador firmemente con las dos manos. Deslizar el tubo por la abertura del soporte de montaje y dejar que se detenga la bola en el soporte de montaje. Girar la bola que sirve para colgar hasta que la ranura de la bola se alinee con la parte saliente del soporte de montaje.

ADVERTENCIA: El no alinear la ranura en la bola que sirve para colgar con la parte saliente del soporte de montaje puede causar lesiones graves o la muerte.

Sugerencia: Solicitar ayuda de otra persona para mantener sujeto la escalera y para que le suba el ventilador cuando usted ya esté preparado en la escalera para colgarlo.

Encontrar un punto de acoplamiento seguro (se recomienda la viga de madera en el techo) y asegurar el cable de seguridad. Utilizar tornillo para madera para trabajos pesados, arandela y arandela de seguridad (no provistos) en el bucle del cable de seguridad. Si es necesario, ajuste el bucle en el extremo del cable de seguridad. El bucle en el extremo del cable de seguridad debe ser de tal tamaño que pase justo sobre la punta de la parte roscada del tornillo para madera. Se puede poner el cable en exceso en el área del techo.



6. Instalación eléctrica.

PRECAUCION: Asegurarse de que la caja de salida esté conectada a tierra como es debido o que exista un conductor a tierra (**VERDE** o pelado).

Asegurarse de que toda conexión eléctrica cumpla con los Códigos o las Ordenanzas Locales y el Código Nacional Eléctrico. Si usted no está familiarizado con la instalación eléctrica o los cables de la casa/el edificio son de colores diferentes a los cuales se refieren a continuación, favor de buscar un electricista calificado.

Nota: Si la longitud del alambrado que sale del ventilador es demasiado, se puede cortarlo al largo deseado y luego pelarlo.

ADVERTENCIA: Si va a utilizar este ventilador en un lugar **HUMEDO**, hay que conectar el ventilador a un circuito de alimentación que esté protegido por un Interruptor de Circuito de Falla de Tierra (GFCI, por sus siglas en inglés) para reducir el riesgo de daño corporal, descarga eléctrica o la muerte.

Una vez que el ventilador esté bien sujeto en el soporte de montaje, se puede hacer la instalación eléctrica como sigue: Conectar el cable **NEGRO** del ventilador al cable **NEGRO** del techo con un conector para cable provisto. Conectar el cable **BLANCO** del ventilador al cable **BLANCO** del techo con un conector para cable provisto. Conectar todos los conductores a **TIERRA (VERDES)** del ventilador a los **PELADOS/VERDES** del techo con un conector para cable provisto.

Puesto que este ventilador no incluye juego de luz, es necesario colocar un conector para cable en la punta del cable **AZUL** (como se indica con la flecha en el diagrama). [**Nota:** En cambio, si elige comprar juego de luz para el ventilador, hay que conectar el cable **AZUL** del ventilador al cable **NEGRO** del techo.]* Como una medida de seguridad adicional, envolver cada conector para cable por separado con cinta aisladora.

PARA HACER LA INSTALACION ELECTRICA DEL CONTROL DE PARED, quitar el interruptor de pared existente. Alambrar el **CONTROL DE PARED** con los conectores para cable provistos así como se muestra en el *diagrama al lado*.

* Como una medida de seguridad adicional, envolver cada conector para cable con cinta aisladora. Delicadamente meter los conectores para cable dentro de la caja de salida.

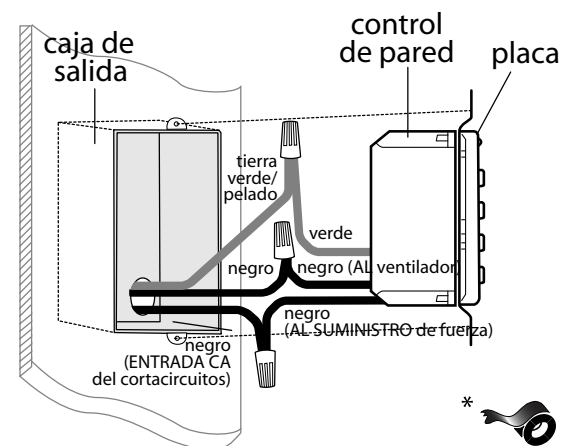
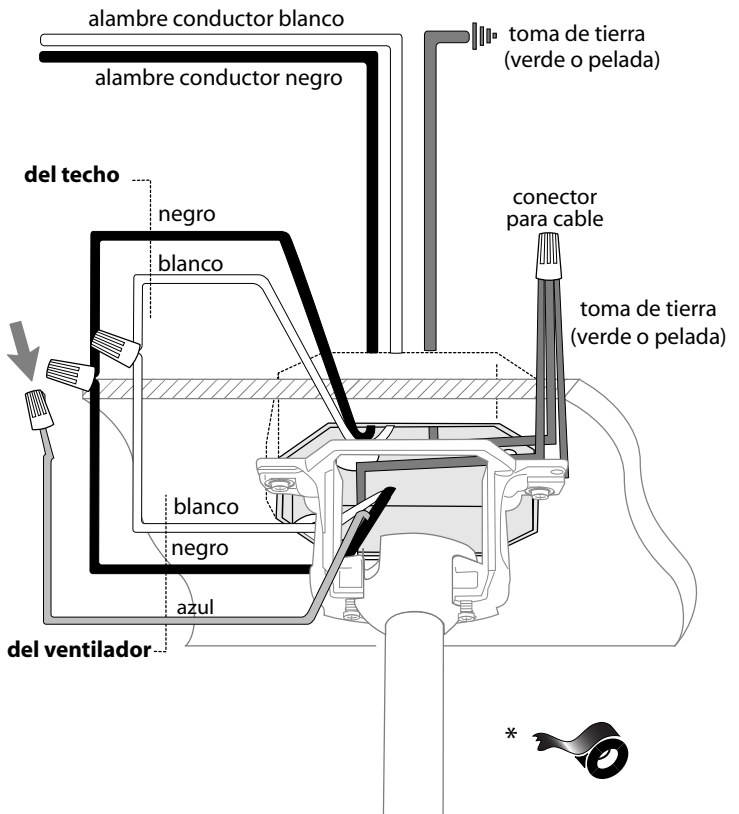
ADVERTENCIA: CONECTAR LOS CABLES SOLAMENTE EN EL ORDEN QUE SIGUE!

ADVERTENCIA: Apagar los cortacircuitos en el panel de electricidad que suplen corriente a la caja de salida y asegurarse de que el interruptor de luz esté **APAGADO**.

Conectar el conductor a tierra **VERDE** al conductor a tierra de la casa o directamente a uno de los tornillos de la caja de salida.

Conectar un cable **NEGRO** del control de pared al cable principal **NEGRO** (caliente) de la casa. Conectar el otro cable **NEGRO** del control de pared al cable de carga **NEGRO** del ventilador.

Sujetar el control de pared a la caja de salida y asegurarlo con los tornillos del interruptor de pared original. Sujetar la placa delantera al control de pared usando los 2 tornillos provistos con el control de pared.



Las modificaciones no aprobadas por la parte responsable de la conformidad podrían invalidar la autorización del usuario para manejar el equipo.

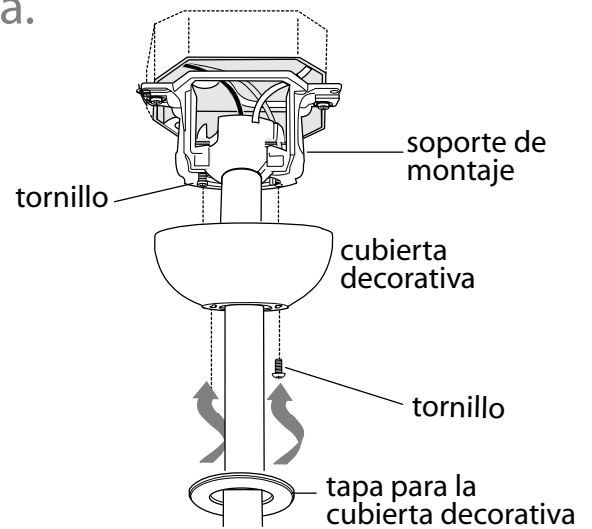
*NOTA: Se han hecho pruebas en este equipo y se ha comprobado que cumple con los límites para un aparato digital de clase B, de acuerdo con la Parte 15 de las Reglas de la FCC. Se concibieron estos límites para proveer protección razonable contra la interferencia adversa en una instalación residencial. Este equipo produce, usa y puede radiar energía de radiofrecuencia y, si no se instala y no se usa según las instrucciones, puede causar interferencia adversa en la radiocomunicación. Sin embargo, no hay ninguna garantía de que no habrá interferencia en una instalación en particular. Si este equipo sí causa interferencia adversa en la recepción de radio o televisión, que se puede determinar apagando y prendiendo el equipo, se le urge al usuario a intentar rectificar la interferencia tomando una o más de las medidas que siguen:

- * Orientar la antena de nuevo o localizarla en otro sitio.
- * Aumentar la separación entre el equipo y el receptor.
- * Conectar el equipo a un tomacorriente en un circuito distinto al cual está conectado el receptor.

Solicitar ayuda del distribuidor o un técnico de radio/televisión.

7. Colocación de la cubierta decorativa.

Localizar los 2 tornillos en la parte inferior del soporte de montaje y quitar el tornillo que está localizado más cerca del extremo abierto del soporte de montaje. Aflojar parcialmente el otro tornillo. Elevar la cubierta decorativa hasta el soporte de montaje. Poner la parte redondeada del agujero con ranura en la cubierta decorativa encima del tornillo aflojado en el soporte de montaje y empujar hacia arriba. Girar la cubierta decorativa para cerrarla. Volver a introducir el tornillo que se quitó, y luego apretar bien ambos tornillos. Subir la tapa para la cubierta decorativa hasta la cubierta decorativa, alineando la parte redondeada de los agujeros con ranura en la tapa para la cubierta decorativa con las cabezas de tornillo en el fondo de la cubierta decorativa. Girar la tapa de la cubierta decorativa a la derecha (en el sentido de las agujas del reloj) hasta que ya no gire.



8. Colocación de las aspas.

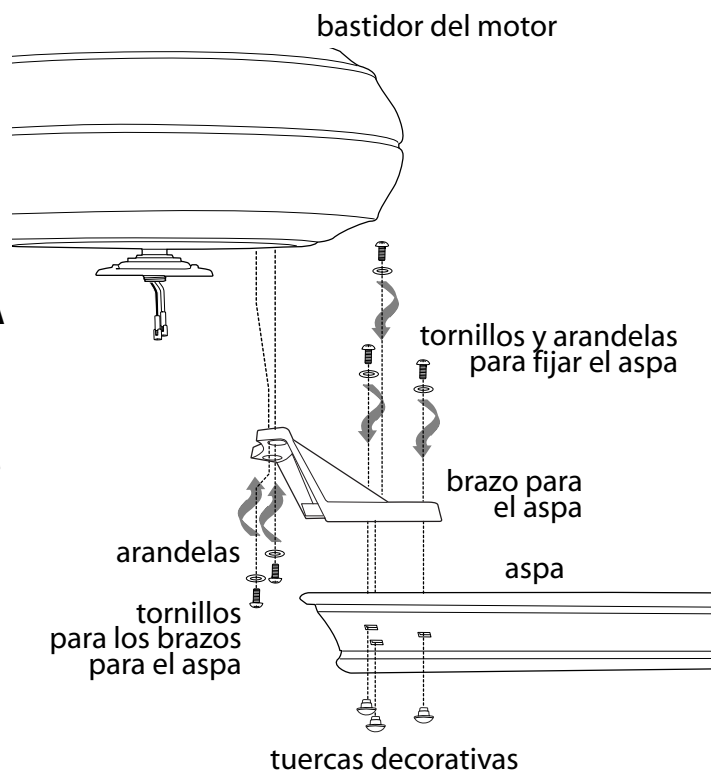
Este ventilador se puede usar con 3 o 6 aspas.

Para ahorrar tiempo: Se pueden poner las arandelas en los tornillos que son para las aspas antes de colocar las aspas.

Localizar 18 tornillos y arandelas y 18 tuercas decorativas en uno de los paquetes de artículos de ferretería. Colocar un brazo para el aspa en el *LADO SUPERIOR* del aspa, alineando los agujeros del brazo para el aspa con los del aspa, como se muestra. [Fijarse en la etiqueta en el aspa que indica **ESTE LADO HACIA ARRIBA** y voltear el aspa para que la etiqueta esté orientada hacia arriba]. Con los dedos, introducir 3 tornillos para fijar las aspas (junto con las arandelas) desde el *LADO DE ARRIBA* del aspa y 3 tuercas decorativas desde el *LADO INFERIOR*, asegurándose de **introducir** cada tornillo **completamente** para que se pueda sujetar el brazo para el aspa correctamente. Repetir el procedimiento con las demás aspas.

Localizar tornillos para los brazos para el aspa y las arandelas de seguridad en uno de los paquetes de artículos de ferretería. Alinear los agujeros de uno de los brazos para las aspas con los agujeros para los tornillos en el motor y fijar el brazo para el aspa con arandelas de seguridad y tornillos para el brazo para el aspa. Antes de apretar los tornillos bien, repetir el mismo procedimiento con los demás brazos para las aspas. Apretar bien todos los tornillos.

Nota: Apretar los tornillos para los brazos para las aspas dos veces al año.

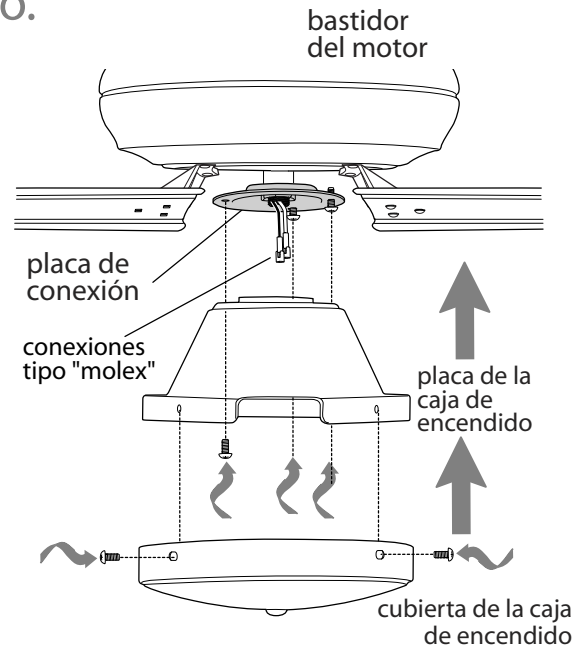


9. Instalación de la caja de encendido.

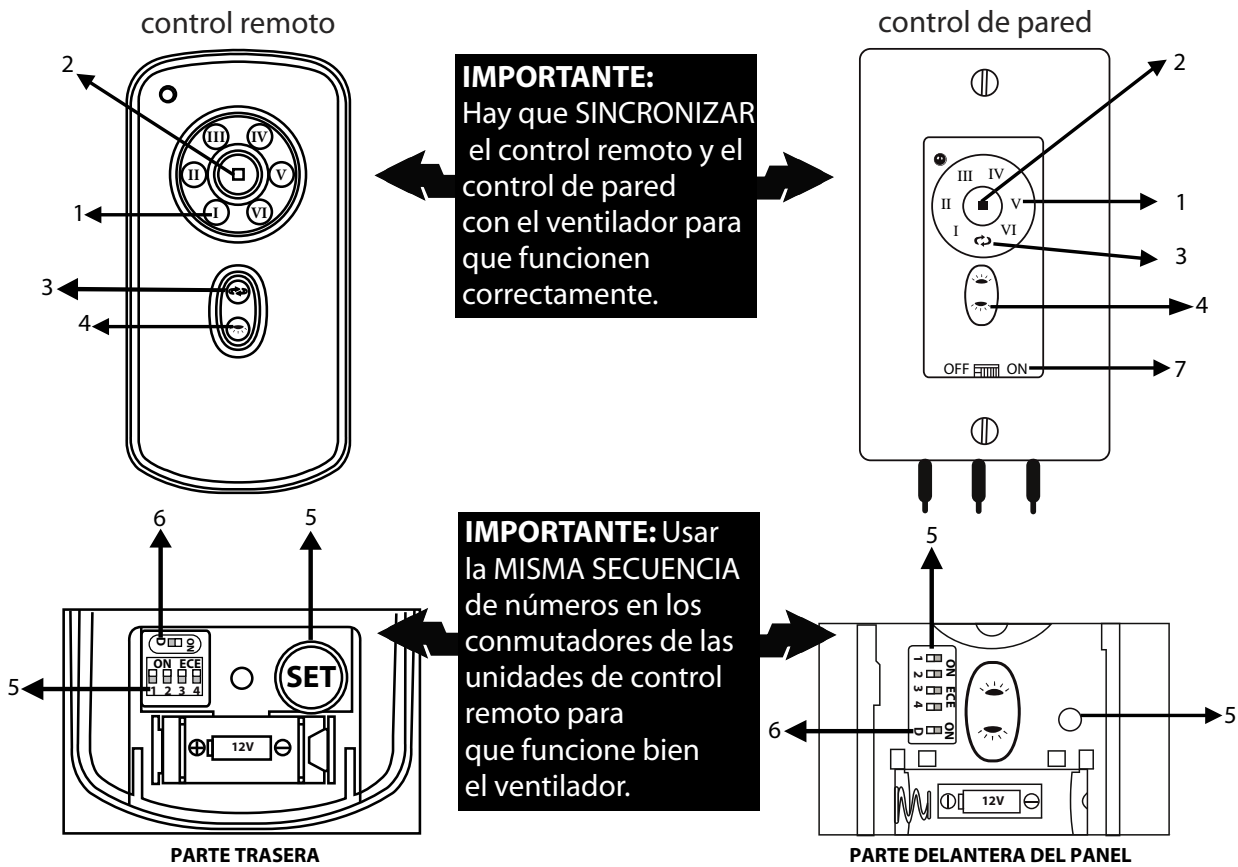
Quitar los 4 tornillos en el borde exterior de la placa de la caja de encendido (*guardarlos para uso más adelante*).

Quitar 1 tornillo de la placa de conexión en la parte inferior del motor y aflojar los otros 2 tornillos. Alinear los agujeros con ranura de en medio de la placa de la caja de encendido con los tornillos aflojados en la placa de conexión, dejando que las conexiones tipo "molex" del bastidor del motor pasen por el agujero de en medio de la placa de la caja de encendido. Girar la placa de la caja de encendido para cerrarla. Volver a introducir el tornillo que se quitó y asegurar los 3 tornillos.

Alinear los agujeros en la cubierta de la caja de encendido con los agujeros en la placa de la caja de encendido. Volver a introducir los tornillos que se quitaron anteriormente y asegurar los 4 tornillos con un destornillador de estrella Phillips.



10. Proceso de aprendizaje automático/Activar el código.



[**"Proceso de aprendizaje automático/Activar el código"** continúa en la página siguiente.]

10. Proceso de aprendizaje automático/Activar el código (cont.)

Quitar la tapa de la batería en la parte de atrás del transmisor del control remoto.

Instalar la batería de 12 voltios (incluidas) en el transmisor y el control de pared.

IMPORTANTE: Guardar el transmisor lejos del calor excesivo o la humedad. Para prevenir daño al transmisor, sacar la batería si no se va a utilizar el transmisor por un tiempo extendido.

Botones de **VELOCIDAD** del ventilador **1:** usar para controlar la velocidad del ventilador de 1- 6
Botón de **APAGADO 2:** usar para apagar el ventilador
Botón de **REVERSA 3:** usar para controlar la dirección del ventilador
Botón de **ILUMINACION 4:** usar para controlar la luz superior o la luz inferior (si se aplica).
CONMUTADORES DE LAS UNIDADES DE CONTROL REMOTO y botón SET 5:

Con los cortacircuitos apagados, poner los **CONMUTADORES DE LAS UNIDADES DE CONTROL REMOTO** en el código deseado. Encender la electricidad del ventilador, oprimir y mantener sujeto el botón **SET** que se encuentra en la parte trasera del control remoto y en el control de pared por 5 segundos dentro de 60 segundos de haber conectado la electricidad que va al ventilador para sincronizarlo con el motor del ventilador.

Función de **REDUCTOR DE LUZ 6:** Se determina la capacidad de bajar las luces dependiendo del tipo de bombillas provistas con el ventilador. Si no se incluye ninguna bombilla, no funcionará el reductor de luz.


Interruptor corredero **ON/OFF 7:**

Posición APAGADO (Off) = **D** / Posición ENCENDIDO (On) = **ON**
[control de pared solamente] Usar para prender o apagar el control de pared

Volver a poner la tapa a la batería en el transmisor. Escoger el panel decorativo para el control de pared y sujetarlo fijamente en la parte delantera del control de pared.

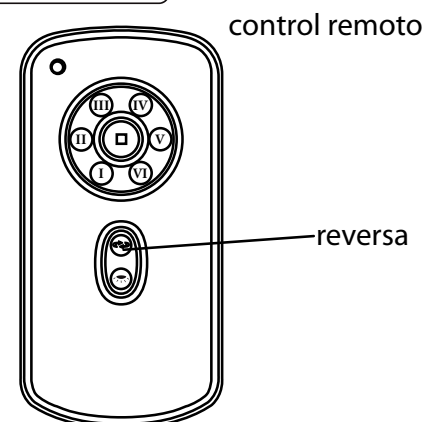
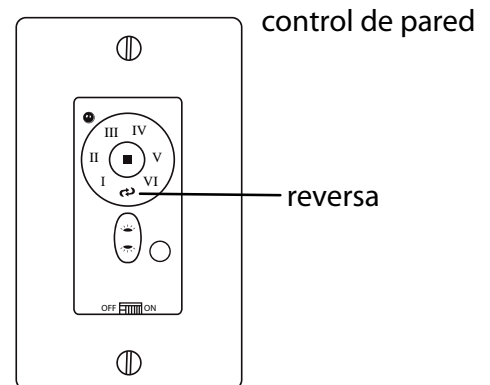
11. Verificación del funcionamiento del ventilador.

Se le recomienda poner el ventilador a prueba antes de terminar la instalación. Localizar el interruptor corredero de APAGADO y ENCENDIDO en el control de pared y ponerlo en posición ENCENDIDO. Poner a prueba las velocidades del ventilador con los botones de velocidad del ventilador. Si el ventilador no funciona, favor de referirse a la sección "Localización de fallas" para resolver cualquier asunto antes de comunicarse con el Servicio al cliente.

Hay que poner el ventilador en posición BAJA *antes* de poner el ventilador en reversa. Regularlo (usando el botón ) para que circule bien el aire dependiendo de las estaciones del año. Un ventilador de techo le permitirá subir el termostato en verano y bajarlo en invierno sin notar una diferencia en su comodidad.

NOTA: Si el control de pared/control remoto interfiere con otros enseres, cambiar a otro código en el control de pared. Si es que cambia el código, **primero desconectar la electricidad**. Después de poner un código nuevo en el control de pared/control remoto, volver a las instrucciones acerca del botón SET de la sección 10 (página 9).

IMPORTANTE: Hay que sincronizar el control remoto y el control de pared con el ventilador para que funcionen correctamente.



Localización de fallas.

ADVERTENCIA: *El no desconectar el suministro de fuerza eléctrica antes de hacer localización de fallas para cualquier problema de instalación eléctrica puede causar lesiones graves.*

Problema: El ventilador no funciona.

Soluciones:

1. Inspeccionar el interruptor de pared del ventilador/control de pared.
2. Asegurarse de que los conmutadores de las unidades de control remoto estén puestos correctamente en el transmisor del control remoto y el control de pared.
3. Verificar la instalación eléctrica del control de pared.
4. Verificar la instalación eléctrica del ventilador.
5. Averiguar que la luz roja se prende en el transmisor del control remoto cuando se oprima un botón, lo cual significa que sirve la batería.
6. Es posible que no tuvo éxito el proceso de apredizaje entre el ventilador, el transmisor del control remoto y el control de pared y que no se activó el código. Desconectar la electricidad y repetir las instrucciones acerca de los conmutadores de las unidades y botón SET en la sección 10 (página 9).

Problema: No funcionan el ventilador con el control remoto y/o el control de pared.

Soluciones:

1. Averiguar que la luz roja se prende en el transmisor del control remoto cuando se oprima un botón, lo cual significa que sirve la batería.
2. Asegurarse de que los conmutadores de las unidades de control remoto estén puestos correctamente en el transmisor del control remoto y el control de pared.
3. Es posible que no tuvo éxito el proceso de apredizaje entre el ventilador, el transmisor del control remoto y el control de pared y que no se activó el código. Desconectar la electricidad y repetir las instrucciones acerca de los conmutadores de las unidades y botón SET en la sección 10 (página 9).

Problema: El ventilador se tambalea.

Soluciones:

1. Usar el juego para balancear las aspas incluido en uno de los paquetes de artículos de ferretería. Si no se incluye un juego para balancear las aspas, llamar al Servicio al cliente, 1-800-486-4892, para pedir uno.
2. Averiguar que se apretó (apretaron) bien el (los) tornillo(s) de fijación en el cuello del bastidor del motor.
3. Averiguar que se apretó bien el tornillo de fijación en la bola que sirve para colgar.

Piezas de repuesto.

Para piezas o información, referirse al "Inventario de piezas" en la página 2.

Servicio al cliente de Craftmade/Ellington:

1-800-486-4892

www.craftmadebrands.com

Garantía.

GARANTIA LIMITADA DE POR VIDA DE CRAFTMADE/ELLINGTON: CRAFTMADE/ELLINGTON garantiza este ventilador al comprador original de grupo familiar para uso interior con las siguientes condiciones:

GARANTIA DE 1 AÑO: CRAFTMADE/ELLINGTON reemplazará o reparará cualquier ventilador que tenga funcionamiento deficiente debido a defectos en los materiales o trabajo manual.

Comunicarse con el Servicio al Cliente de CRAFTMADE/ELLINGTON al **1-800-486-4892** para acordar el reenvío del ventilador. Devolver el ventilador, con los gastos de envío propagados, a Craftmade/Ellington. Nosotros repararemos o reemplazaremos el ventilador y pagaremos los gastos de envío de regreso.

GARANTIA DE 5 AÑOS: CRAFTMADE/ELLINGTON reemplazará o reparará sin costo al comprador original, cualquier motor de ventilador que no funcione de manera satisfactoria a causa de uso normal.

DEVOLVER EL MOTOR SOLAMENTE, los gastos de envío propagados, a Craftmade/Ellington. Nosotros repararemos el motor al comprador o le enviaremos uno de reemplazo y Craftmade/Ellington pagará los gastos de envío de regreso.

GARANTIA LIMITADA DE 6 AÑOS hasta DE POR VIDA: CRAFTMADE/ELLINGTON reparará el ventilador, sin costo al comprador original por el coste laboral, si el motor del ventilador no funciona satisfactoriamente a causa del uso normal. Las piezas que se utilizan en hacer la reparación serán facturadas al comprador a los precios prevalecientes en el momento de la reparación.

El comprador original será responsable de todos los gastos incurridos en sacar, reinstalar y enviar el producto para reparación.

Esta garantía no se aplica cuando el ventilador tenga daños por abuso mecánico, físico, eléctrico o por agua resultando en su mal funcionamiento. Se exenta específicamente el deterioro en el acabado u otras partes debido al tiempo o exposición al aire marino bajo esta garantía.

Ni Craftmade/Ellington ni el fabricante se harán responsables por lo que pasa por una instalación inadecuada o el uso impropio de este producto. La compañía no se hará responsable en ningún caso de ningún daño emergente por incumplimiento de esta o cualquier otra garantía expresada o implicada en absoluto. Esta limitación de daños emergentes no se aplicará en estados donde es prohibido.

ELLINGTON
CEILING FANS by Craftmade